



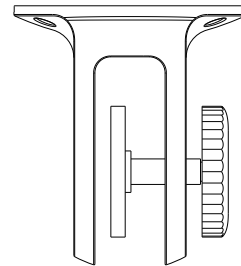
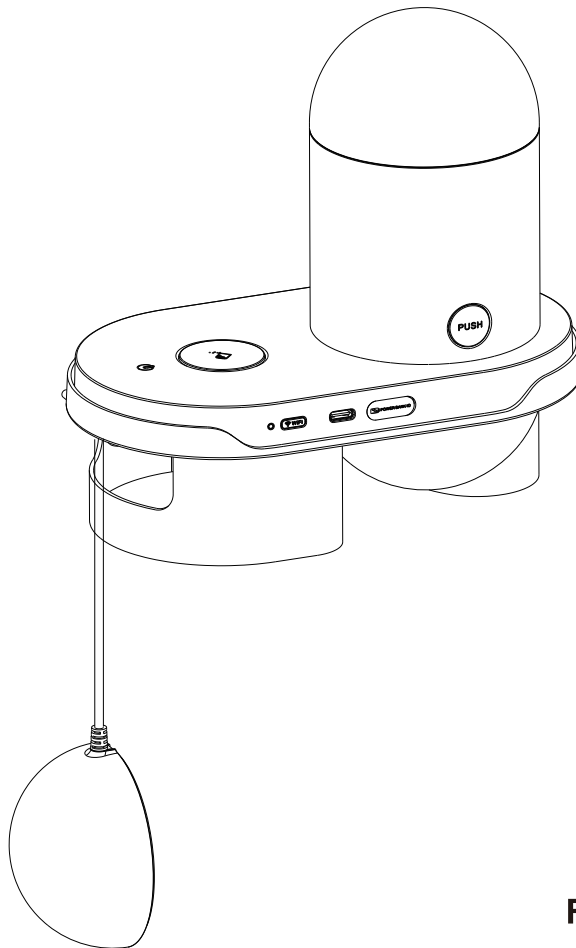
E-mail: distributor@hyggeraquarium.com

Website: www.hyggeraquarium.com



HG082 USER MANUAL

hygger intelligent visual fish feeder



Fish tank wall clamp

Catalogue

Attention	1
Safety instructions	1
Accessory list	1
Product introduction	2
Installation guide	3
App Guide	5
FAQ	8
Parameter	9
Name and content of toxic and harmful substances in the product	9
After-sale service	10

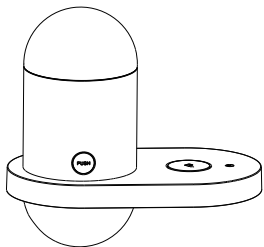
Attention

- Please read this user manual carefully before use. Once installed or used, it means that you have carefully read and accepted the following safety instructions.
- The company will not be responsible for any accident and loss caused by illegal operation and will not bear any legal liability.
- The company reserves the right to interpret and modify this statement.

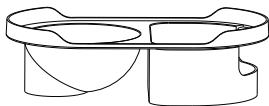
Safety instructions

- Failure to comply with the following terms may result in the product not being used normally or other accidental damage.
- Please install and use the equipment in strict accordance with the instructions.
- Please use the equipment in an indoor environment with a network.
- Please use the original charging cable, otherwise it will damage the equipment or cause the equipment to work abnormally.
- Keep it horizontal and do not overturn the equipment, otherwise the equipment will not work properly.
- Do not drop fish food or other items other than the applicable fish food into the fish food container, otherwise it will cause abnormal use of the equipment and even cause safety problems for the fish.
- The product is not allowed to soak or soak in water.
- During installation, please use 2 kinds of installation accessories provided by the equipment. Do not use other methods to fix, otherwise the equipment may be damaged.
- If children use this device, please make sure to use it under the guidance of an adult.
- Other than maintenance personnel, no one is allowed to repair this product to avoid various accidental injuries.
- This equipment is not recommended for meat eating fish.
- Do not touch the outlet when delivering fish food.

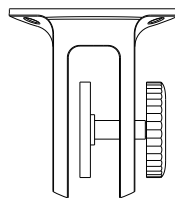
Accessory list



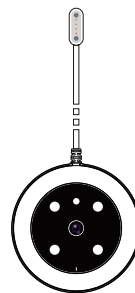
Host×1



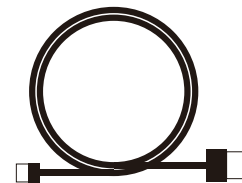
Fish tank cover bracket×1



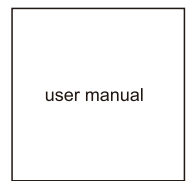
Fish tank wall clamp×1



Camera×1

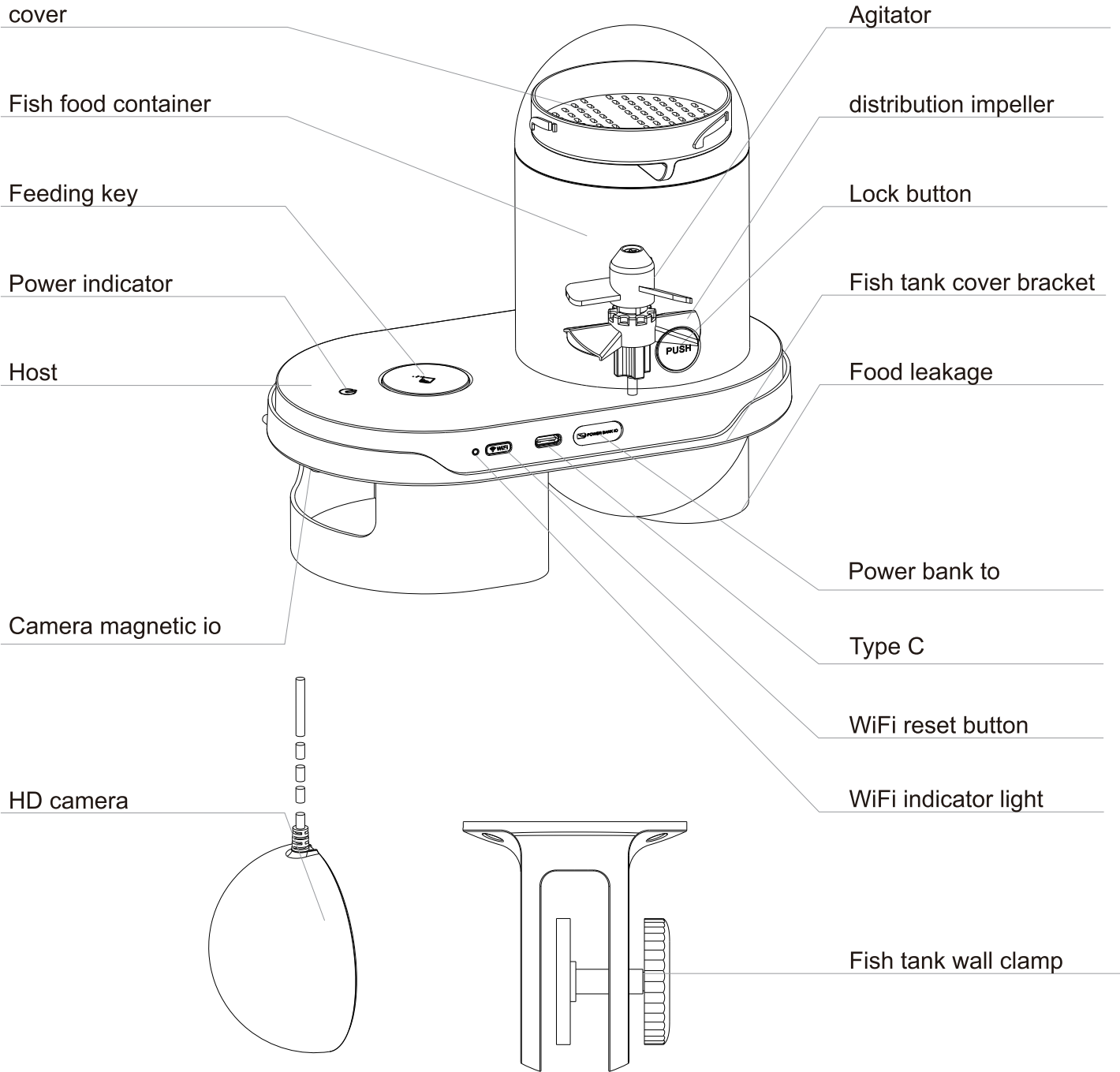


Charging cable×1



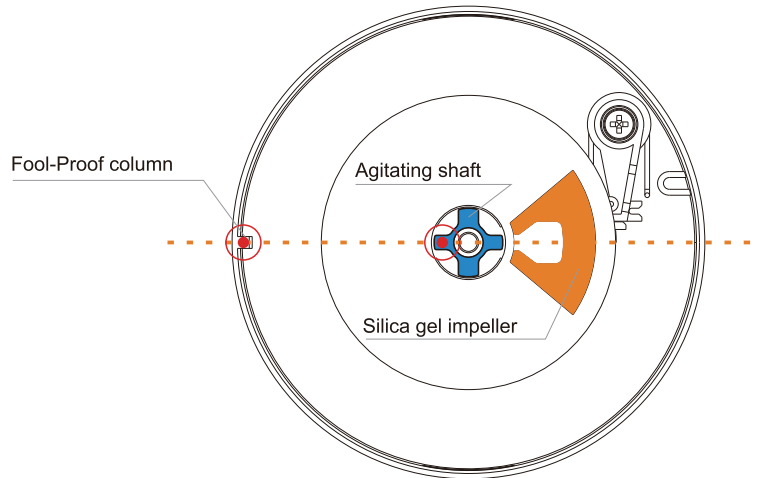
User manual×1

Product introduction



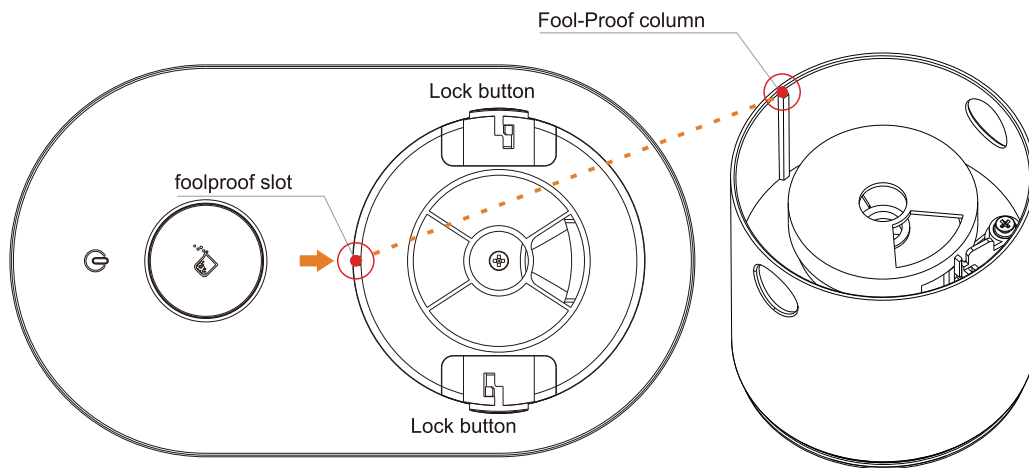
Installation guide

1



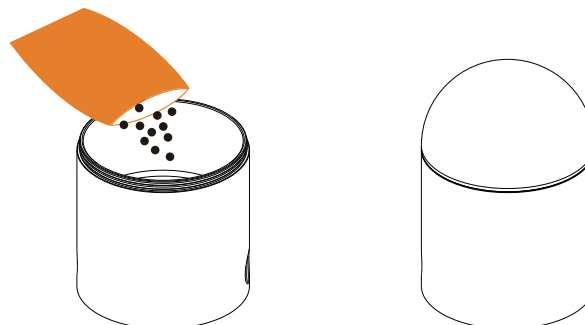
Rotate the agitating shaft to ensure that the thin side of the shaft is on the same straight line and the silica gel impeller blocks the food leakage channel

2



Align foolproof column with the foolproof slot and press the lock buttons to install the fish food container.

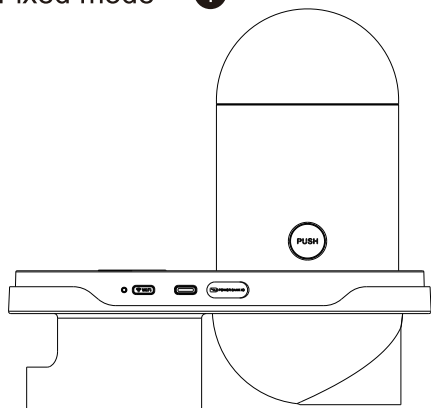
3



Pour in fish food and cover the food container

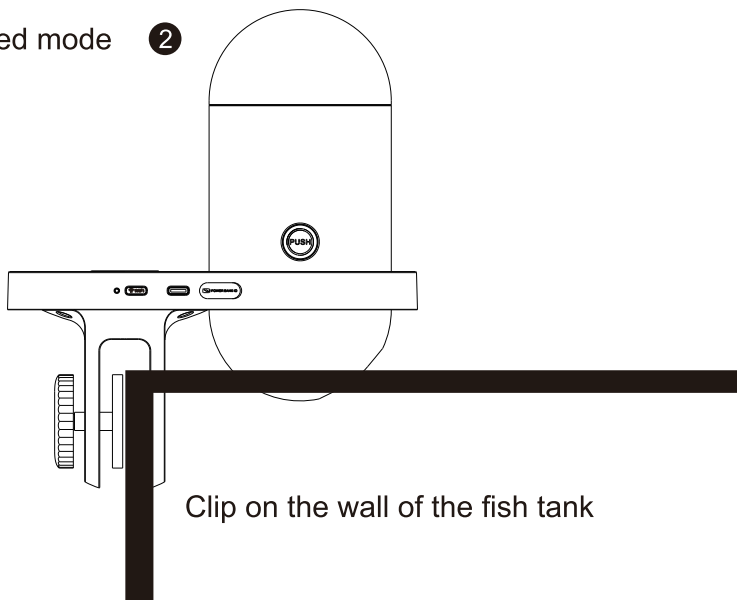
4

Fixed mode ①

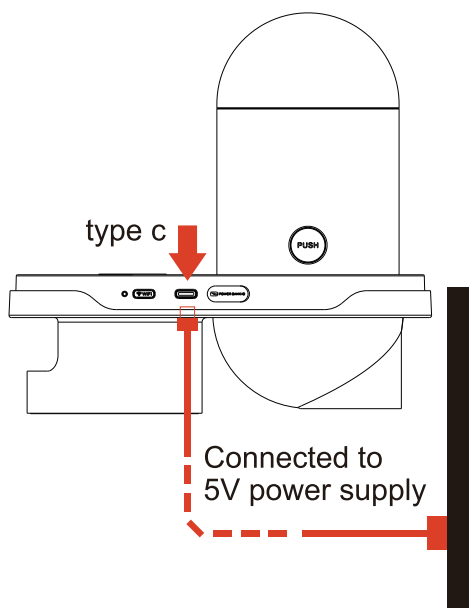


Remove the release paper at the bottom of the fish tank cover bracket, and then place the assembled host on the bracket

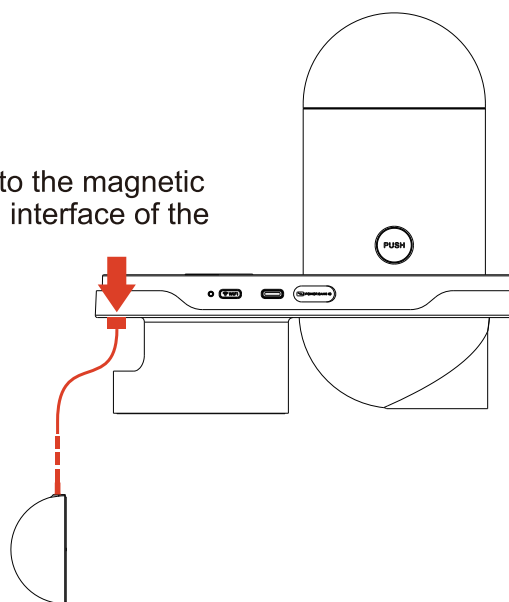
Fixed mode ②



5



Connect to the magnetic attraction interface of the camera



Note : If can not connect, please change the interface direction.

■ APP guide

Install the “smart life” APP

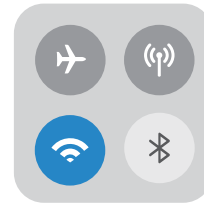
Method 1: Search and download the “smart life” app in the mobile app store

Method 2: Scan QR code to download the “smart life” APP

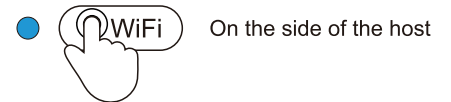


WiFi / APP connection

- 1 Connect your phone to the WIFI in your home.

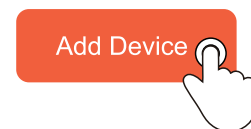


- 2 Press the network reset button on the fish feeder for 5 seconds until the flashes quickly.

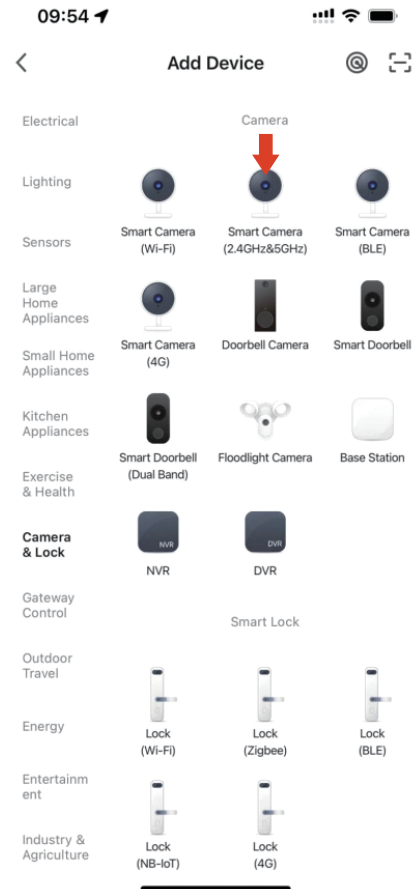


- 3 Open the smart life APP.

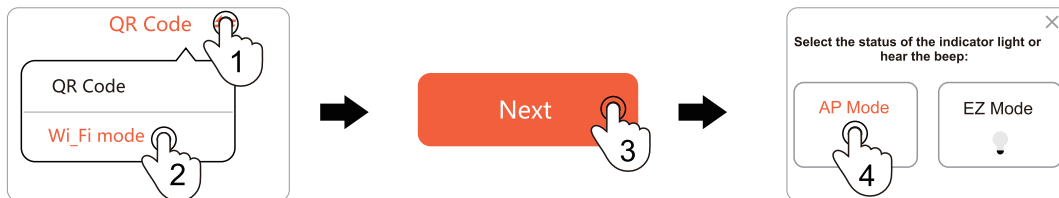
- 4 Click on “Add Device”.



- 5 Click on the “Camera&Lock”, Select “Smart Camera(2.4GHz&5GHz)”.



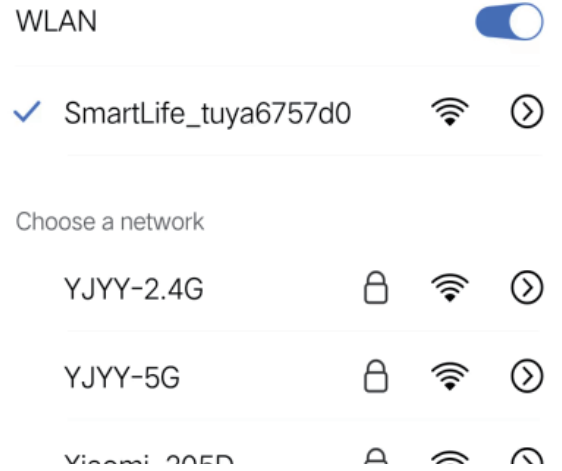
- 6 Click on the “QR code” menu in the upper right corner, select “ Wi-Fi mode”, and then select“ AP mode” below.



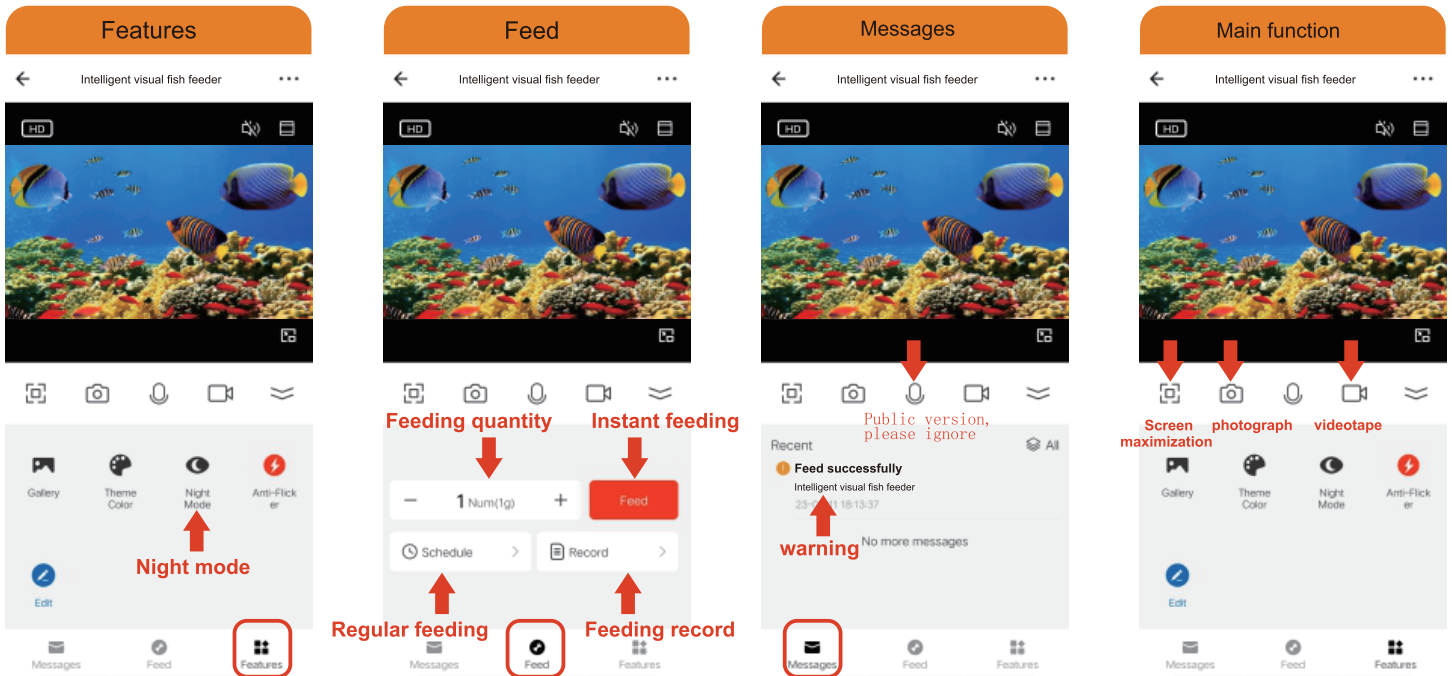
- 7 Enter the WIFI name and password, and click“NEXT”.

- 8 Click on “go to connect ”.

- 9 Select the “ smartlife XXX” hotspot in the WIFI list to connect.



- 10 Click on the “ Done” after the connection is successful.



FAQ

I .food container cannot be installed

Align foolproof column with the foolproof slot and press the lock buttons to install the fish food container.

II.WiFi cannot be connected

If other users connect to WiFi first, WiFi may not be connected. Press the WiFi reset button for 3 seconds and then reconnect to WiFi. It is also possible that the magnetic io is not connected, and the WiFi indicator light will be red. You can reinstall the magnetic connector before connecting to WiFi.

III.How to clean the food container

Press and hold the lock button to remove the food container. Rotate counterclockwise to remove the cover of the grain distribution tank at the bottom of the grain barrel. The real grain barrel can be washed with water.

IV.What about a sudden power failure

Connect the standby power io(such as power bank) to the standby io.In case of sudden power failure, the system will switch to the standby power supply mode.

V .Misuse of fish food or other items outside the scope of this product, resulting in food jam

After removing the food container, unscrew the lid of the distribution tank, take out the stuck items and reinstall them for use.

VI.Do not know how to install this product

There are two fix methods: fish tank wall and fish tank cover. Please select the most suitable way before use.

VII.APP Video too laggy

Ensure that the network speed of the router is fast enough. If the network speed is low, please adjust the video definition from "HD" to "standard definition"

VIII.Can multiple phones control the feeder at the same time?

Yes, you can connect a phone with the feeder and then share the device with another person through the "shared device" in the menu bar in the upper right corner of the app. Can be shared with up to 5 people.

Parameter

Model	HG082	Input	5V---2A
Rated Power	2.5W	Capacity	230ml
Size	180 × 103× 172mm	Resolution	2K HD(night vision)
Temperature	-10-45°C	Interface	Type C
Material	Food grade ABS	Color	Elegant white
Environment	Home and office fish tank	Fish Food	Diameter 0.3-5mm Round, flaky and columnar fish food)

Name and content of toxic and harmful substances in the product

Part name	Name and content of toxic and harmful substances in the product					
	Pb	Hg	Cd	Cr(Vi)	PBB	PBDE
Plastic	○	○	○	○	○	○
Hardware	○	○	○	○	○	○
PCBA	×	○	×	○	○	○
Charging cable	×	○	○	○	○	○
Accessory	○	○	○	○	○	○

This form is prepared in accordance with SJ / t 11364

○ Indicates that the content of the hazardous substance in all homogeneous materials of the component is below the limit specified in GB / t 26572

×

Indicates that the content of the hazardous substance in at least one homogeneous material of the component exceeds the limit specified in GB / t 26572



CONTACT INFORMATION:

Distributed by:Hygger Aquarium,Inc.Chino, CA 91710

Contact us at E-mail: distributor@hyggeraquarium.com Website: www.hyggeraquarium.com

Trademarks of Shenzhen Mago Trading Co.,Ltd

Bantian Group Business Center,Longgang, Shenzhen City, China All Rights Reserved

Made in China

